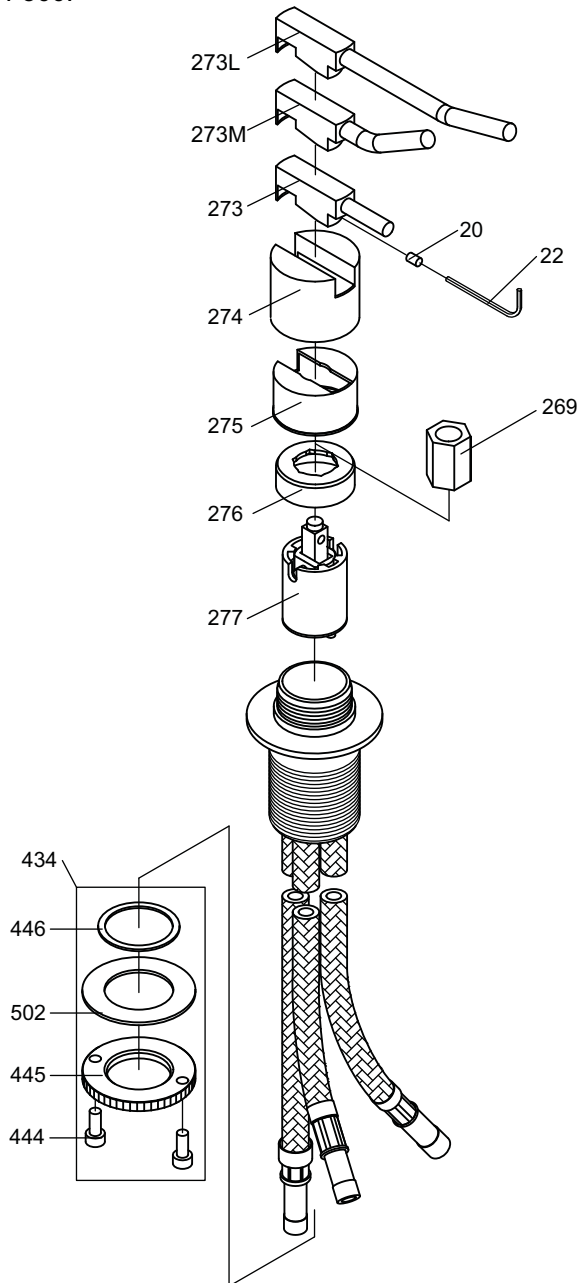
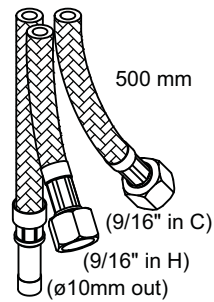


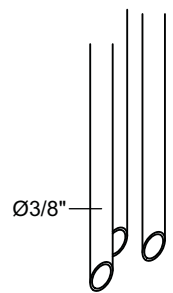
F500:



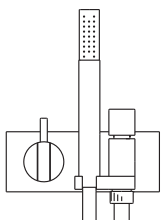
F500US:



500: Ø10  
500US: Ø3/8"



VR277K: VR22, VR269, VR277  
 VR434: 2xVR444, VR445, VR446, VR502  
 NR.10: VR20, VR22, VR273, VR274, VR275



**VOLA A/S**  
 Lunavej 2  
 DK-8700 Horsens  
 Tlf : + 45 7023 5500  
 Fax: + 45 7023 5511  
 sales@vola.com  
 www.vola.com

**VOLA 500/M/L**

Dato

Sep 09

Rev.

2

Blad

SB4.1