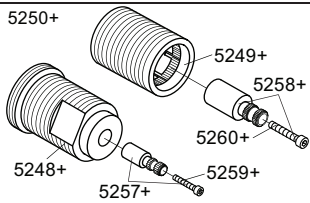
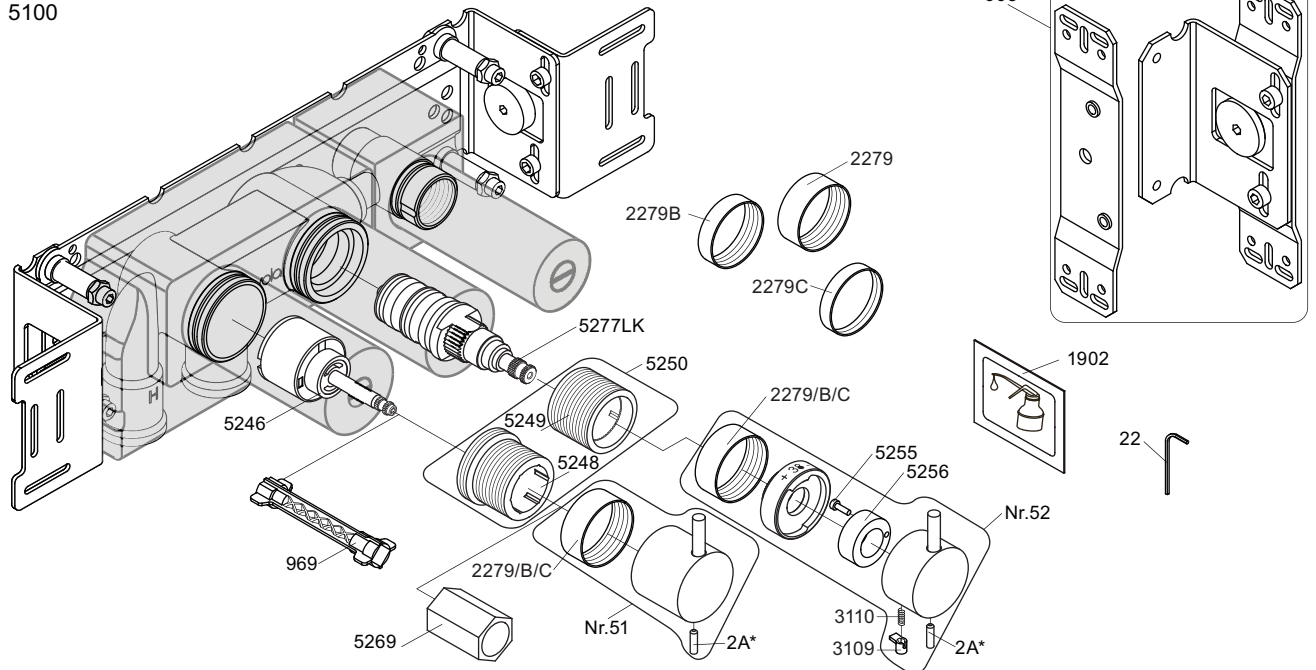



5100

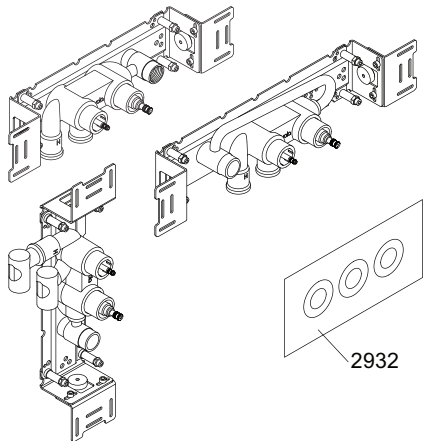


2A*  Color

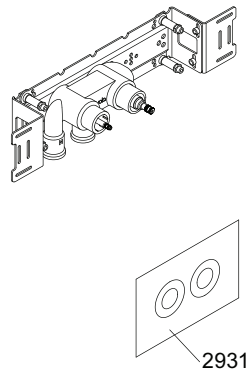
VR2A-Steel: Standard
 VR2A-F60: F17-F27-F60
 VR2A-F63: F63-F64
 VR2A-F65: F19-F65-F70

NR51: VR5251, VR2279+B+C, VR2A
 NR52: VR2A, VR5252, VR5253, VR5255, VR5256, VR2279+B+C, VR3113, VR2A
 VR3113: VR3109, VR3110, VR5255
 VR5250+: VR5248+, VR5249+, VR5257, VR5258, VR5259, VR5260
 VR5257+: VR5257+, VR5259+
 VR5258+: VR5258+, VR5260+

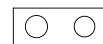
5100/5100X/5300



5200V



5003K



5002



2x2001, 001



2x2001



vola
 Lunavej 2
 DK-8700 Horsens
 Tlf : + 45 7023 5500
 sales@vola.com
 www.vola.com

VOLA 5100
 5100X, 5200V, 5300

Date
 Apr. 21

Rev.
 4

Sheet
SB 10.51