

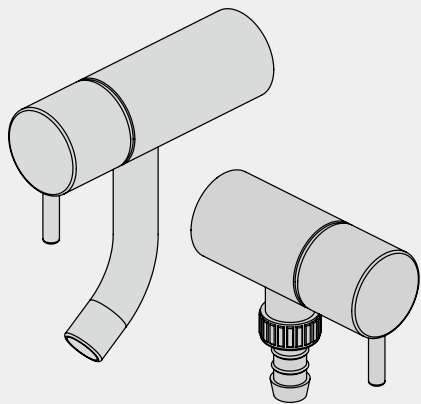
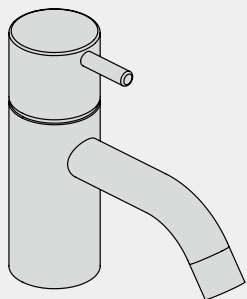
**VOLA RB1, RB3, RB4  
VOLA SH1**

Fitting instruction  
Montageanleitung  
Monteringsvejledning  
Monteringsvägledning  
Montage hanleiding  
Manuel de montage

RB1, RB3, RB4:



GODKENDT  
TIL DRIKKEVAND



www.vola.com

vola

RB1- RB3 - RB4 - SH1 V4\_40999835



5 703182 372600

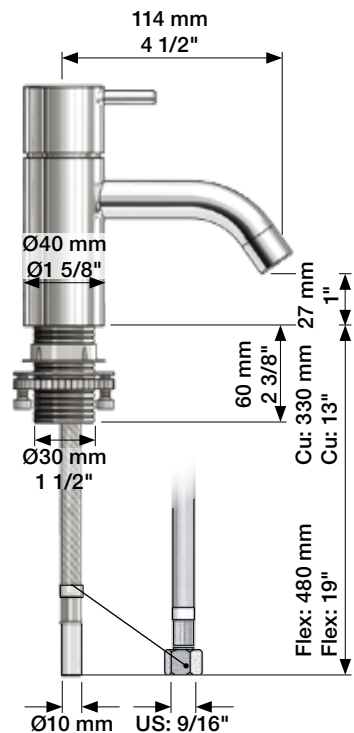
**Data, 3 Bar/43.5 Psi:**

Max.	l/min.	Gal/min.
RB1/3/4:	5,0	1,3
SH1	27,0	7,1

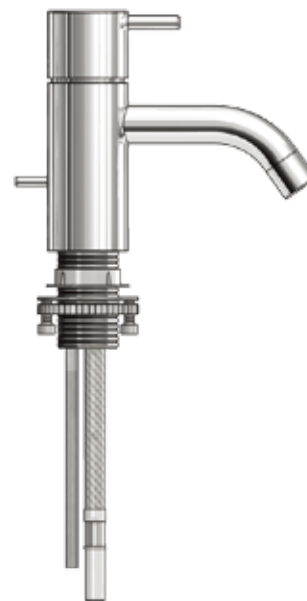


Max. 70°C, 158°F

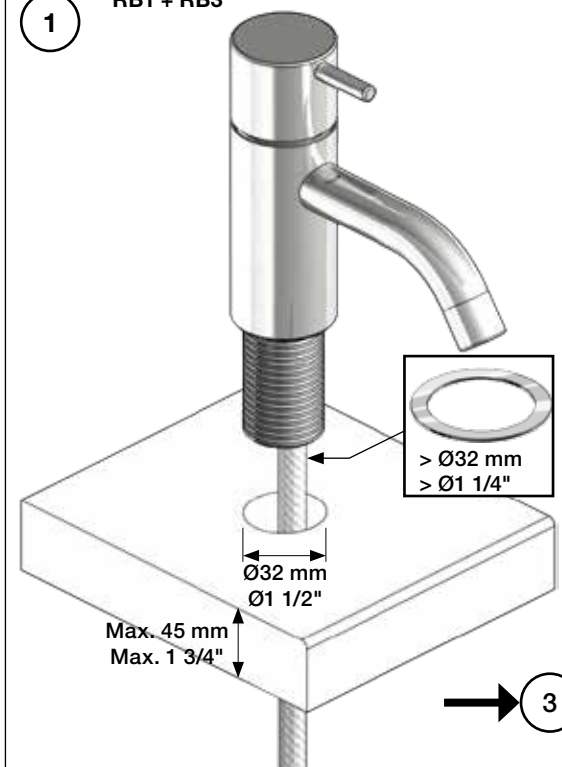
**RB1**



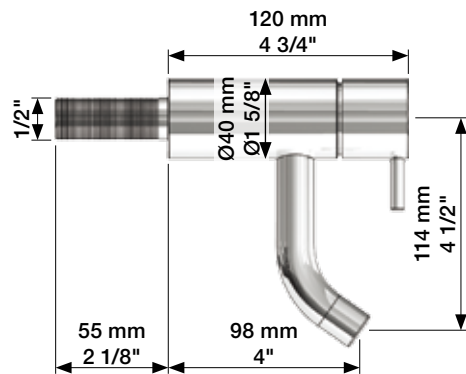
**RB3**



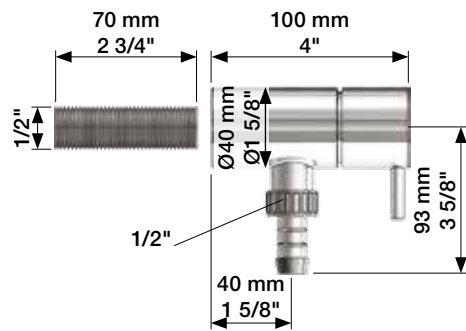
**1 RB1 + RB3**



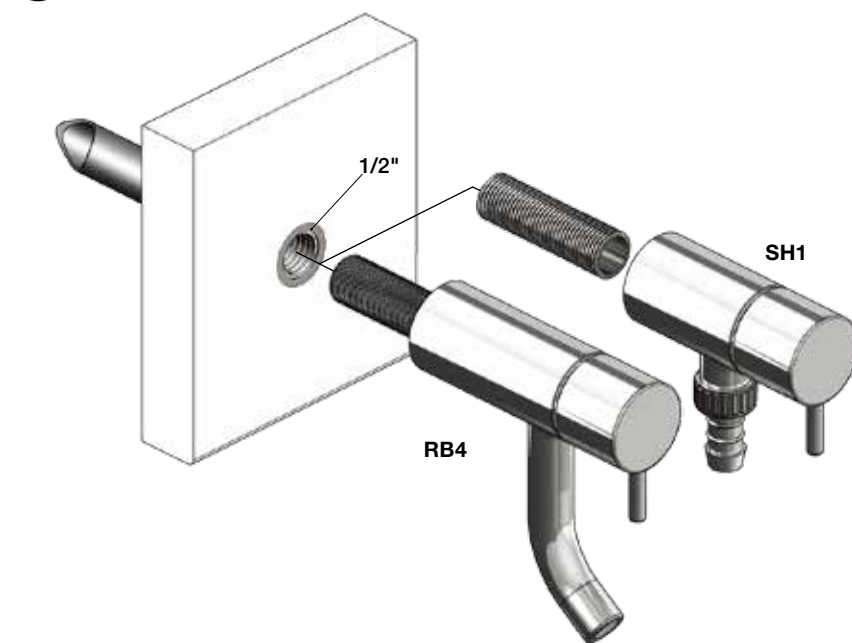
**RB4**



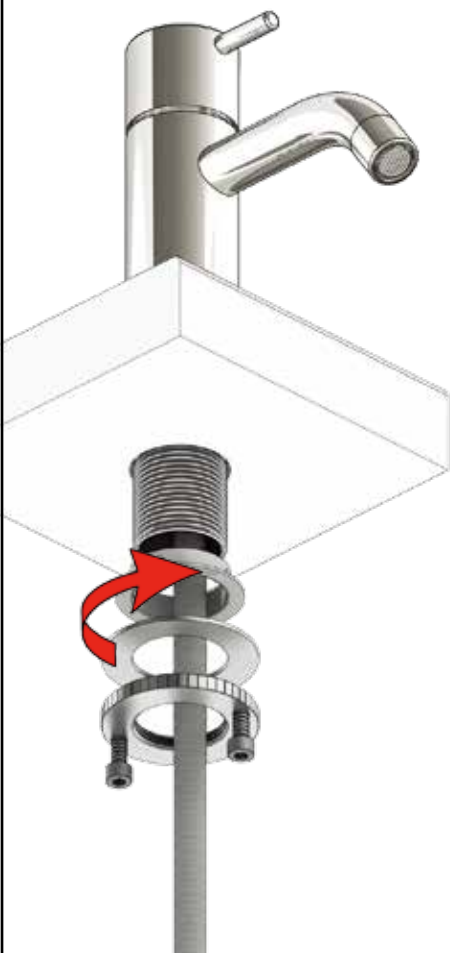
**SH1**



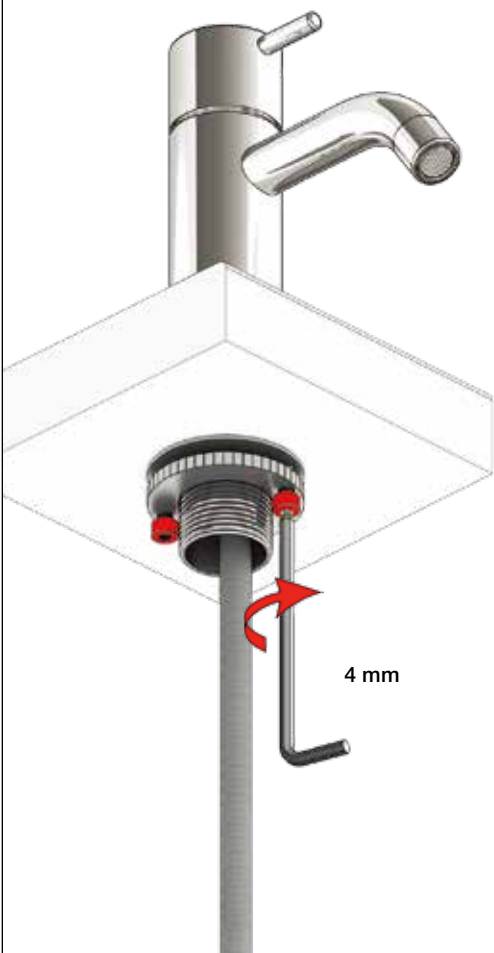
**2 RB4 + SH1**



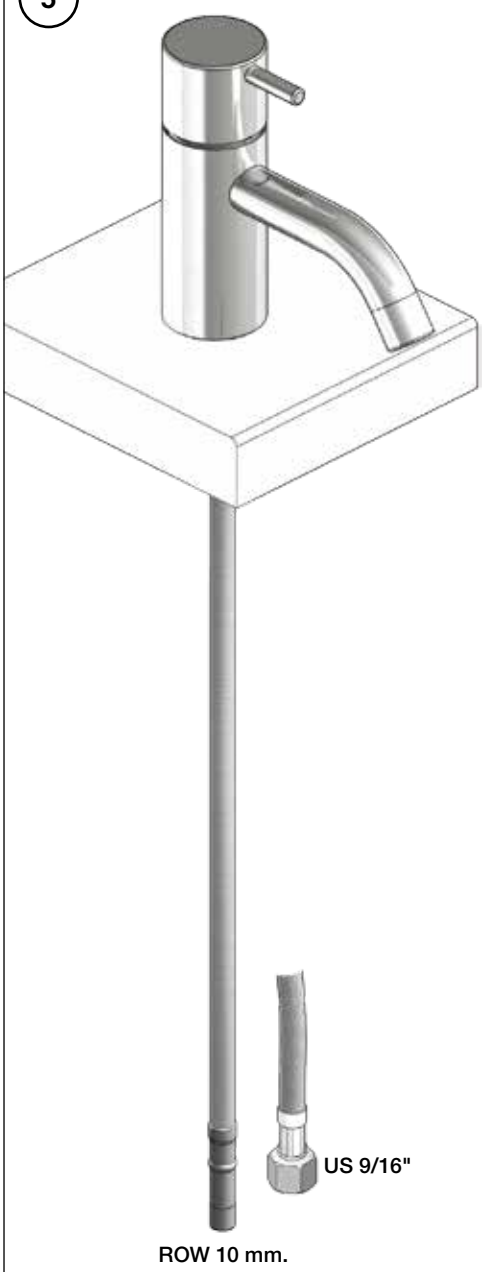
3



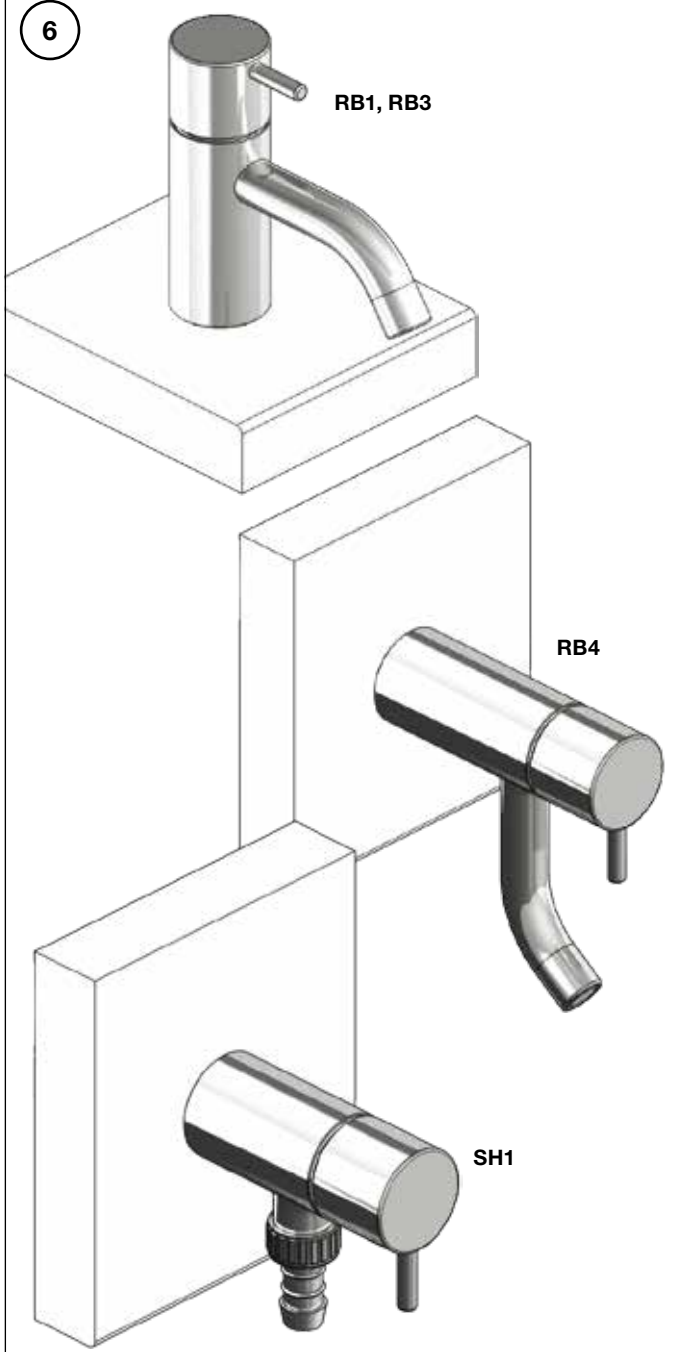
4

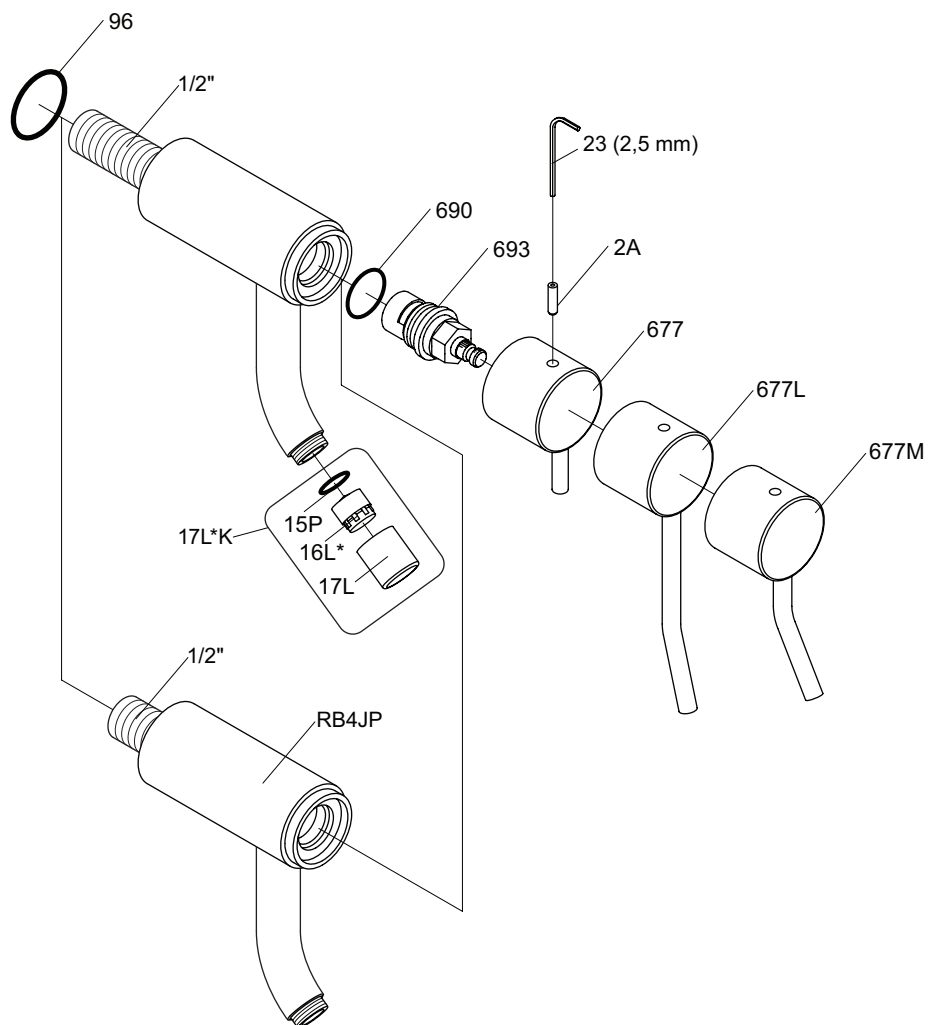


5

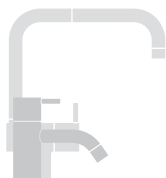


6





- NR.7/L/M: VR2A, VR677/L/M  
 \*VR17L4K: VR15P, VR16L4, VR17L (US Standard)  
 \*VR17L5K: VR15P, VR16L5, VR17L  
 \*VR17L9K: VR15P, VR16L9, VR17L  
 \*VR17LSK: VR15P, VR16LS, VR17L  
 VR693K: VR23, VR693



**vola**  
 Lunavej 2  
 DK-8700 Horsens  
 Tlf : + 45 7023 5500  
 sales@vola.com  
 www.vola.com

## VOLA RB4

Date  
Okt. 16

Rev.  
4

Sheet  
SB 29.2